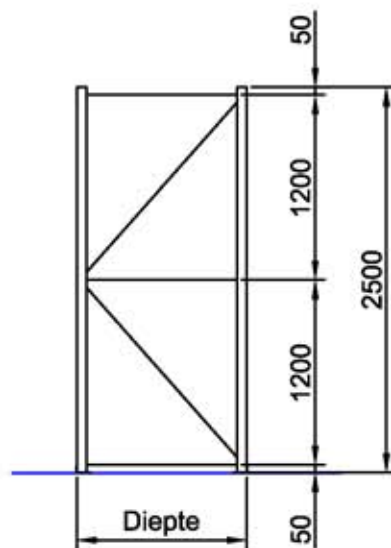


| | | | |
|----|---------------------------------------|-----------------|---------|
| NL | Jukhoogte 2,5 m, uitvoering standaard | Code: SP33 | Mat.: |
| D | | Gewicht/Weight: | Klasse: |
| GB | | | |



Juk type SKJL

| Diepte : | 700 | 800 | 900 | 1000 | 1100 | 1200 | 1300 | 1400 |
|-----------------|--------|--------|--------|--------|--------|--------|--------|--------|
| Stijlen : | 2x2500 | 2x2500 | 2x2500 | 2x2500 | 2x2500 | 2x2500 | 2x2500 | 2x2500 |
| Dieptestukken : | 3x627 | 3x727 | 3x827 | 3x927 | 3x1027 | 3x1127 | 3x1227 | 3x1327 |
| Schoren : | | | | | | | | |
| Schoren : | 2x1280 | 2x1331 | 2x1387 | 2x1448 | 2x1514 | 2x1583 | 2x1655 | 2x1730 |
| Schoren : | | | | | | | | |
| Voetplaten : | 2x | 2x | 2x | 2x | 2x | 2x | 2x | 2x |
| MB M8x16 : | 20x | 20x | 20x | 20x | 20x | 20x | 20x | 20x |
| MB M10x20 : | 4x | 4x | 4x | 4x | 4x | 4x | 4x | 4x |

| | | | |
|---------|--|---------------------|----------------------------|
| ☒ a= mm | Niet getol. maten: $\leq 500 \pm 0.5$ mm | en $> 500 \pm 1$ mm | Gatdiameters ± 0.2 mm. |
|---------|--|---------------------|----------------------------|

| | | | |
|--------|-----------|---------|------------|
| Klant: | Ordernr.: | Aantal: | Opmerking: |
|--------|-----------|---------|------------|

| | | | | | | | | | |
|--|---|------------|------|---------------|-----------|------|-----------------------------|--------|------|
| | | 1:50 | Ref. | Omschrijving: | Dat.wijz. | Get. | Eenheid: mm | Form.: | A4 |
| | | Get. EV | A | Update | 1-3-07 | DAa | Dim 1 | | |
| | | 20-4-88 | B | | | | Dim 2 | | |
| | | Gec. | C | | | | Dim 3 | | |
| | | Projectie: | D | | | | Tekening/Zeichnung/Drawing: | | Ref. |
| | | | E | | | | PS.09.03 | | A |
| | F | | | | | | | | |